

LED

IP 66



# PLFS-N 200 LED



- High color rendering index CRI 80
- Estimated service life 100 000 hours
- With OVP, OCP, OTP protection
- Autonomous reactivation after recovery
- CCT4000K / other CCT on request
- Frosted front glass on request

new  
LED  
more lm/W

## CONSTRUCTION

Enclosure: aluminum powder painted casting  
 Diffuser: borosilicate glass  
 Accessories: protective galvanized steel grid, assembly kit for wall, pole and ceiling mounting  
 Gasket: silicon

## TECHNICAL DATA

<b>Certificate:</b>	FIDI 26 ATEX IECEX FIDI
<b>Marking:</b>	
<b>Apparatus category:</b>	II 2G II 2D
<b>Marking of explosion protection:</b>	Ex db eb op is IIC T5 Gb Ex tb op is IIIC T80/90°C Db
<b>Ambient temperature ATEX:</b>	-40°C / -30°C ≤ T <sub>a</sub> ≤ +50
<b>Degree of protection:</b>	IP 66 category 1
<b>Resistance to shock:</b>	IK 08
<b>Protection class :</b>	I (protective earthing)
<b>Rated voltage:</b>	110-240 VAC , 220 VDC
<b>Frequency:</b>	50 / 60 Hz
<b>Rated power:</b>	140 W, 160 W, 200 W
<b>Lifetime L80F10:</b>	>100 000 h, at T <sub>a</sub> = 20°C >40 000 h, at T <sub>a max</sub> = 50°C
<b>Connecting terminals:</b>	L1, L2, L3, N, PE 5 x (2 x 2,5mm <sup>2</sup> , 1 x 4 mm <sup>2</sup> , 1 x 6 mm <sup>2</sup> solid) through-wiring possible
<b>Cable entry:</b>	Two ISO 25 entries in accordance with EN 60423
<b>Weight:</b>	12kg
<b>Packing:</b>	The packing contains: 1 pcs 400x400x200mm

## MOUNTING

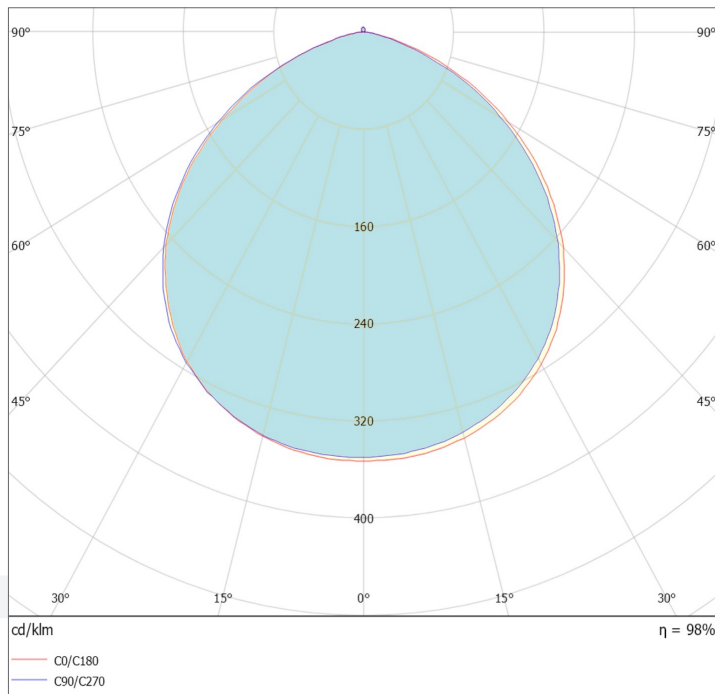
Pendant, on pole, wall, ceiling

# Pendant LED light fitting

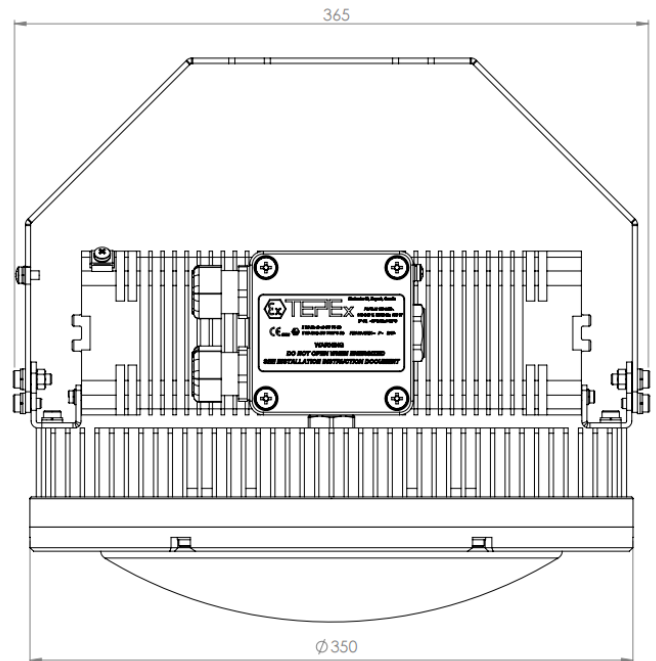
## MODEL CODE

MODEL CODE	Power consumption [W]	Voltage [V]	Light fitting Luminous flux [lm]	System efficacy [lm/W]	AMBIENT TEMP.
PLFS-N 200 LED-1	140 W	110-240 V	14 700	105	-40/-30°C ÷ +50°C
PLFS-N 200 LED-2	160 W		16 800		
PLFS-N 200 LED-3	200 W		20 565		

## POLAR CURVE

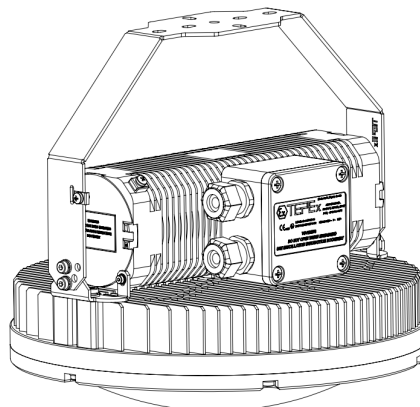


## DIMENSION DRAWING (mm)



## SPARE PARTS AND ACCESSORIES

SKETCH	DESCRIPTION	CODE	SKETCH	DESCRIPTION	CODE
	Glass PLFS 200 LED	PLFS 200 LED 10-110		Pole mounting set R 1 1/2"	PLFS 20-110
	LED module LEDEx 06	PLFS 200 LED 10-120		PLFS 200 LED mounting bracket	PLFS 10-160
	LED Driver assembly	PLFS 200 LED 10-130		Connection box set	PLFS 200 LED 10-140



All technical data is relevant at the time of print.