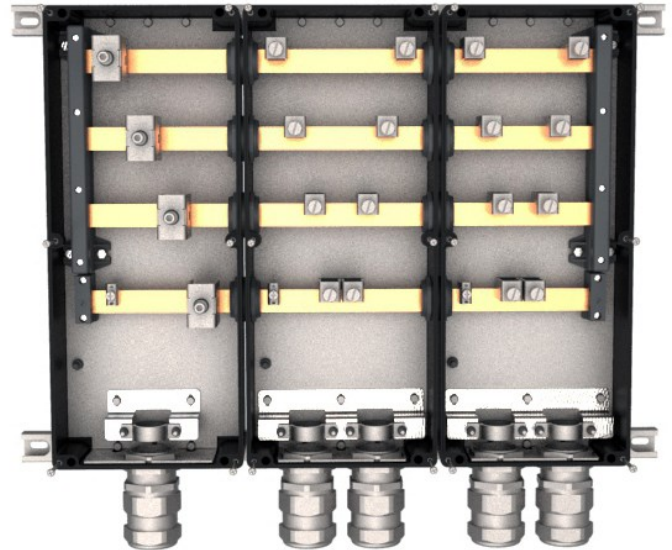


IP 66



SKX busbar GRP



CONSTRUCTION

Enclosure: GRP
Gasket: EPDM formed gasket

TECHNICAL DATA

Certificate:	FIDI 19 ATEX 0008
Marking:	CE 0722
Apparatus category:	II 2GD
Marking of explosion protection:	Ex eb IIC T6/T5 Gb Ex tb IIIC T80°C/T95°C Db
Ambient temperature ATEX:	-20°C ≤ T _a ≤ +50°C
Degree of protection:	IP 66
Resistance to shock:	IK 09
Protection class :	I (protective earthing)
Nominal voltage U_n:	630 V ±10%

Table of maximum currents:

Terminal	Conductor cross section [mm ²]	Maximum thermal current of terminals / cable [A]			
		T _{amax} = +40°C		T _{amax} = +50°C	
		Cable temperature stability ≥ 70°C II 2G - T6 II 2D - T80°C	Cable temperature stability ≥ 90°C II 2G - T5 II 2D - T80°C	Cable temperature stability ≥ 70°C II 2G - T6 II 2D - T80°C	Cable temperature stability ≥ 90°C II 2G - T5 II 2D - T80°C
300mm ²	185	330	430	280	370
	150	270	350	230	300
185mm ²	120	200	280	160	240
120mm ²	95	160	215	130	185
	70	120	160	95	140
	50	85	115	65	100

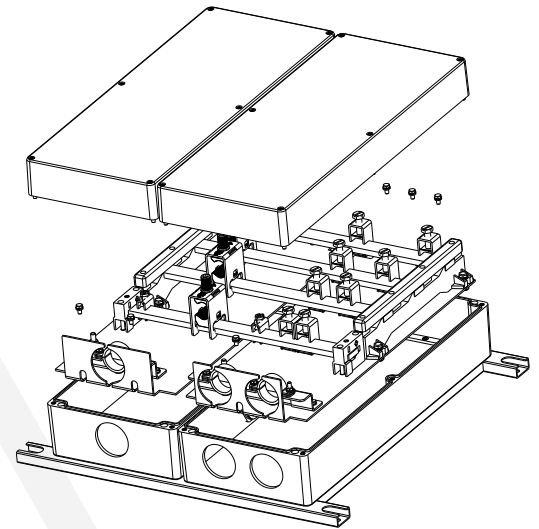
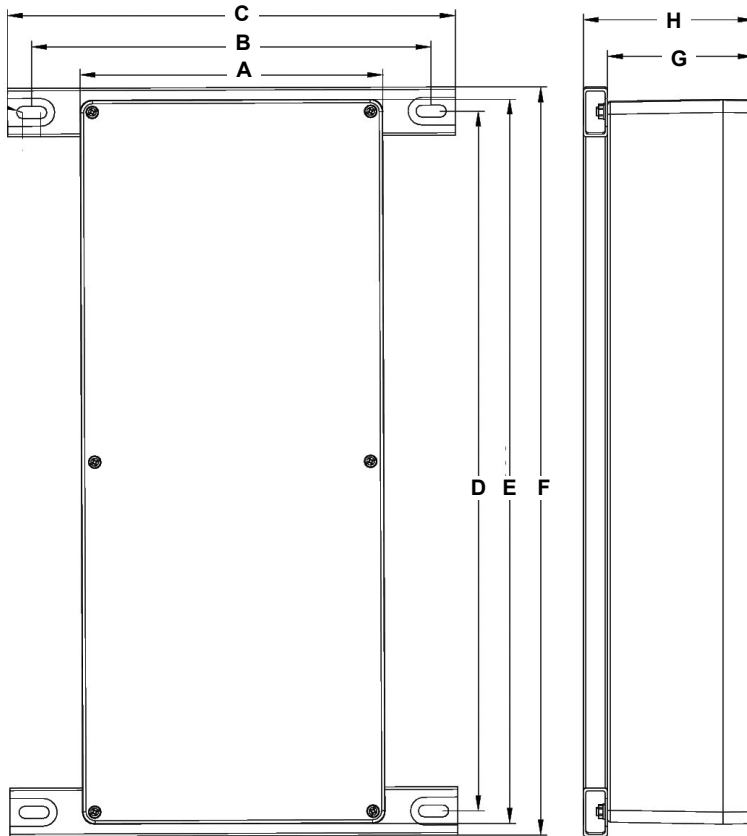
- For terminals from 50... 300 mm²
- Rated operational current up to max. 430 A depending on enclosure version and size

Busbar enclosure

MODEL CODE

TYPE	Cu busbar dim.	No. of SKX 20 enclosure	Conductor cross-section
SKX 20/1-120	3L+N+PE (20x10 mm)	1	120 mm ²
SKX 20/2-185	3L+PE (30x10 mm)	2	185 mm ²
SKX 20/3-185	3L+PE (30x10 mm)	3	

DIMENSION DRAWING (mm)



Type	A	B	C	D	E	F	H	G
SKX 20/1	250	330	370	580	600	620	140	120
SKX 20/2	504	583	623				180	162
SKX 20/3	758	836	876					

SPARE PARTS AND ACCESSORIES

SKETCH	DESCRIPTION	CODE	SKETCH	DESCRIPTION	CODE
	Cover	SKX 20/10-110		Terminal 35 mm ²	SKX 604016/10-170
	Gasket	SKX 20/10-130		Terminal 120 mm ²	SKX 604016/10-180
	Busbar holder	SKX 20/10-160		Terminal 300 mm ²	SKX 604016/10-190
	Busbar Cu 30x10	SKX 20/10-210		Strain relief set	SKX 20/10-220
	Busbar holder PE	SKX 20 / 10-150			

All technical data is relevant at the time of print.