

TE_x MCB



- Rated current
1..... 63A
- 1 Pole

PURPOSE

Explosion protected miniature circuit breaker type TE_x/MCB .. 1P is intended for installation in enclosures made in the protection type Ex eb „increased safety“ which are intended for installation in industrial premises, in places with a potentially explosive atmosphere of gases and vapors in danger zones 1 and 2 in accordance with EN IEC 60079-10-1:2021.

TECHNICAL DATA

| | |
|---|--|
| Certificate: | Ex FIDI 23 ATEX 0075U |
| Marking: | CE 0722 |
| Apparatus category: | II 2G |
| Marking of explosion protection: | Ex Ex db eb IIC Gb |
| Ambient temperature: | -20°C ≤ T _a ≤ +60°C |
| Service temperature: | -20°C ≤ T _{service} ≤ +75°C |
| Rated voltage U_n: | 230/400 VAC |
| Rated current I_n: | 1, 2, 432, 40, 50, 63 A |
| Tripping characteristics: | B, C, D, K, Z |
| Rated short-circuit capacity: | 10 kA (230/400 VAC) |
| Power loss: | 3,0 - 13,0 W |
| Operating voltage: | max. 253 V AC min. 12 V AC max. 72 VDC min. 12 V DC |
| Mechanical protection: | IP 20 |
| Weight: | 800 g |

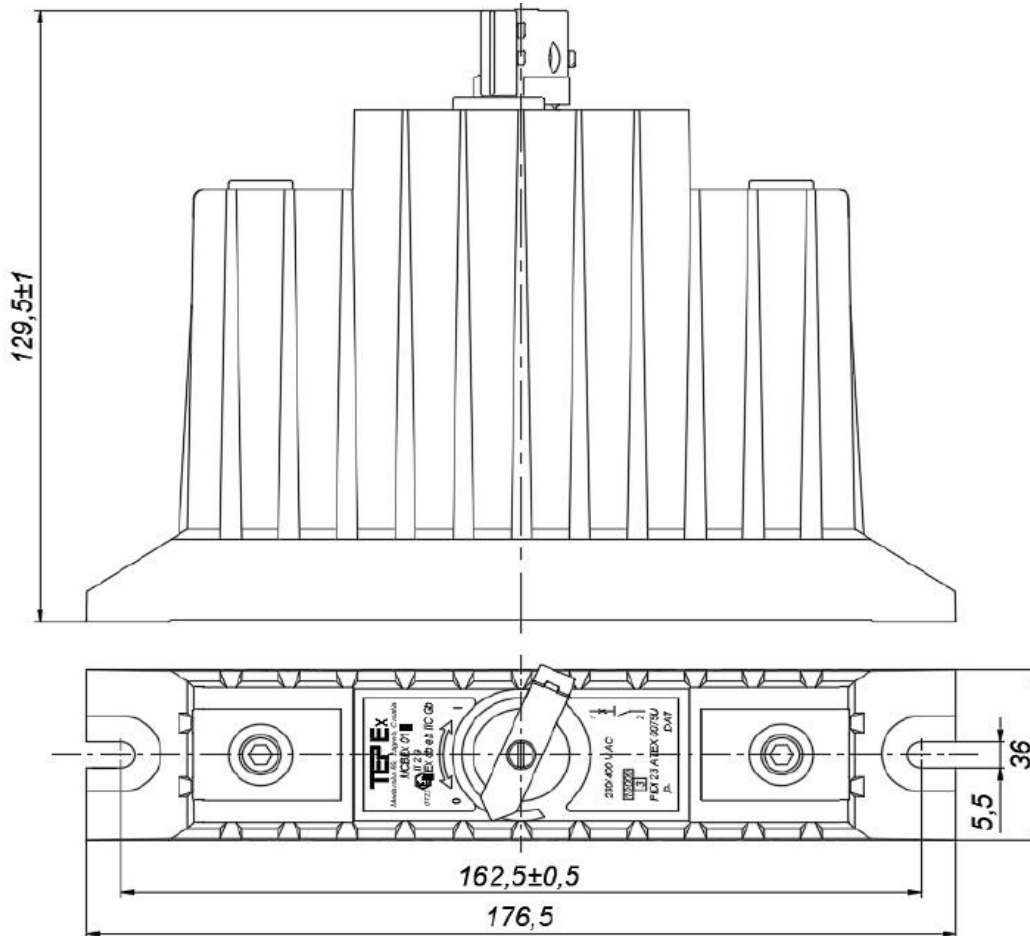
Miniature circuit breaker

MODEL CODE

TEx/ MCB ... 1P

- basic type mark
- letter – tripping characteristic (B, C, D, K, Z)
- number – rated current (1, ..., 63)

DIMENSION DRAWING (mm)



All technical data is relevant at the time of print.